



ON-OFF MOTORIZED VALVES

DB-VZ

APPLICATION

The DB-VZ series ON-OFF valves are designed to control heating or cooling water in zone systems. They are well-suited for use in high humidity places. Valves are driven by a synchronous motor. The synchronous motor opens the valve (normally closed) according to the command signal of a thermostat; at the signal interruption a spring returns the valve to the closed position. The paddle closes against the flow on 2-way valves, and for 3-way valves the flow is blocked toward the user.

FEATURES

- Compact unit (assembly not required on the site).
- Female threaded connections.
- Power supply from electric system, synchronous motor with clutch.
- Actuator is fitted with manual operating lever for manual override when power supply is not applied or if a power failure occurs.
- Silent operation.
- Strong gear and spring for long term working.
- One piece forged brass body.
- Reliability.
- Models are available with an optional end stroke switch to provide valve position indication or control function such as pump or fan start/stop.

| TYPE | WAY | CONNECTION | KVs m ³ /h | MAX DIFF. PRESS. bar | RUNNING TIME s | | AUXILIARY SWITCH |
|-------------|-----|------------|--------------------------|-------------------------|-------------------|--------|---------------------|
| | | | | | OPEN | CLOSED | |
| DB-VZ2-10SA | 2 | G 1/2 | 2.0 | 2.0 | < 9 | < 4 | |
| DB-VZ2-15SA | 2 | G 1/2 | 3.2 | 1.5 | < 9 | < 4 | |
| DB-VZ2-20SA | 2 | G 3/4 | 4.6 | 1.5 | < 9 | < 4 | |
| DB-VZ2-25SA | 2 | G 1 | 6.8 | 1.0 | < 9 | < 4 | |
| DB-VZ3-15SA | 3 | G 1/2 | 4.3 | 1.5 | < 11 | < 5 | |
| DB-VZ3-20SA | 3 | G 3/4 | 4.6 | 1.5 | < 11 | < 5 | |
| DB-VZ3-25SA | 3 | G 1 | 6.7 | 1.0 | < 11 | < 5 | |
| DB-VZ2-10CA | 2 | G 1/2 | 2.0 | 2.0 | < 9 | < 4 | • |
| DB-VZ2-15CA | 2 | G 1/2 | 3.2 | 1.5 | < 9 | < 4 | • |
| DB-VZ2-20CA | 2 | G 3/4 | 4.6 | 1.5 | < 9 | < 4 | • |
| DB-VZ2-25CA | 2 | G 1 | 6.8 | 1.0 | < 9 | < 4 | • |
| DB-VZ3-15CA | 3 | G 1/2 | 4.3 | 1.5 | < 11 | < 5 | • |
| DB-VZ3-20CA | 3 | G 3/4 | 4.6 | 1.5 | < 11 | < 5 | • |
| DB-VZ3-25CA | 3 | G 1 | 6.7 | 1.0 | < 11 | < 5 | • |

TECHNICAL FEATURES

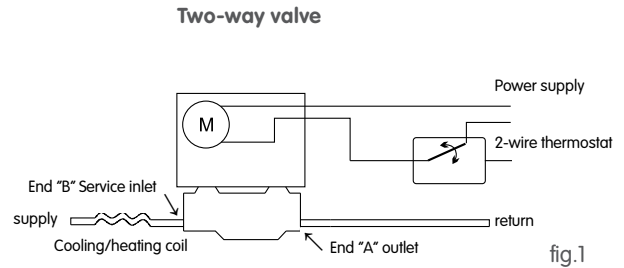
Main supply: 230 Vac +10% -15%, 50-60 Hz
Power consumption: 6 VA
Microswitch max load: 3 A
Material: forged brass body, stainless steel base plate and bearing plate
Body connection: FBSP parallel according to ISO 228/1-82

Body rating: PN16
Fluid temperature: -10...+94 °C
Storage temperature: -20...+70 °C
Ambient temperature: -25...+60 °C
Protection: IP 20 class II
Size: see schedule
Weight: 920 g

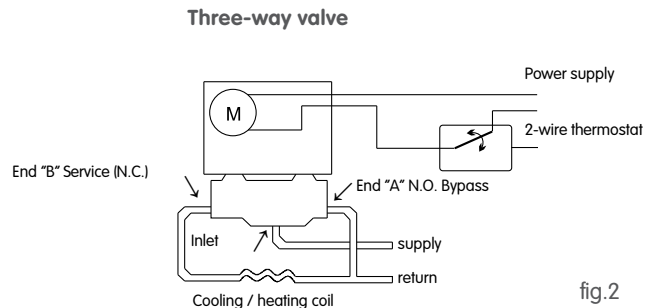


INSTALLATION

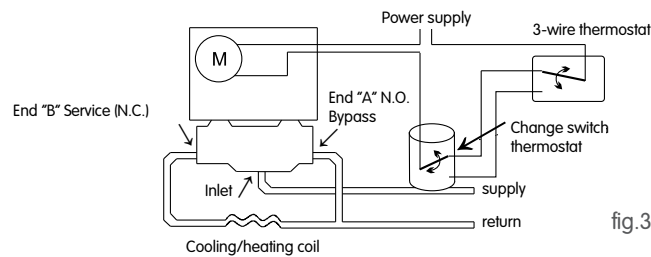
Two-way valves: When installing normally closed 2-way valves, the flow direction is from end "B" to end "A" (the valve closes against the flow of the water, fig.1).



Three-way valves: When installing 3-way diverting valves, port "B" is the user end, "A" is the bypass end. The inlet port is unmarked. Port markings "A" and "B" are located on the bottom of the valve body (fig.2 and fig.3).

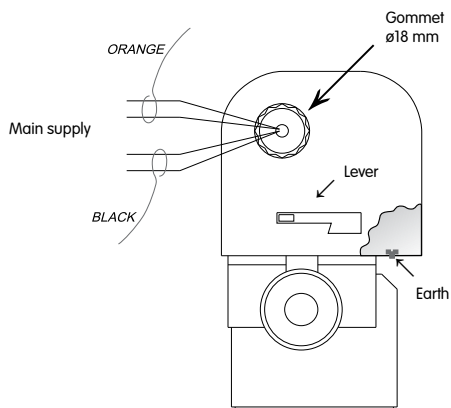


Three-way valve with strap-on change-over switch



WIRING DIAGRAM

only for models with (end stroke) auxiliary switch



DIMENSIONS (mm)

